

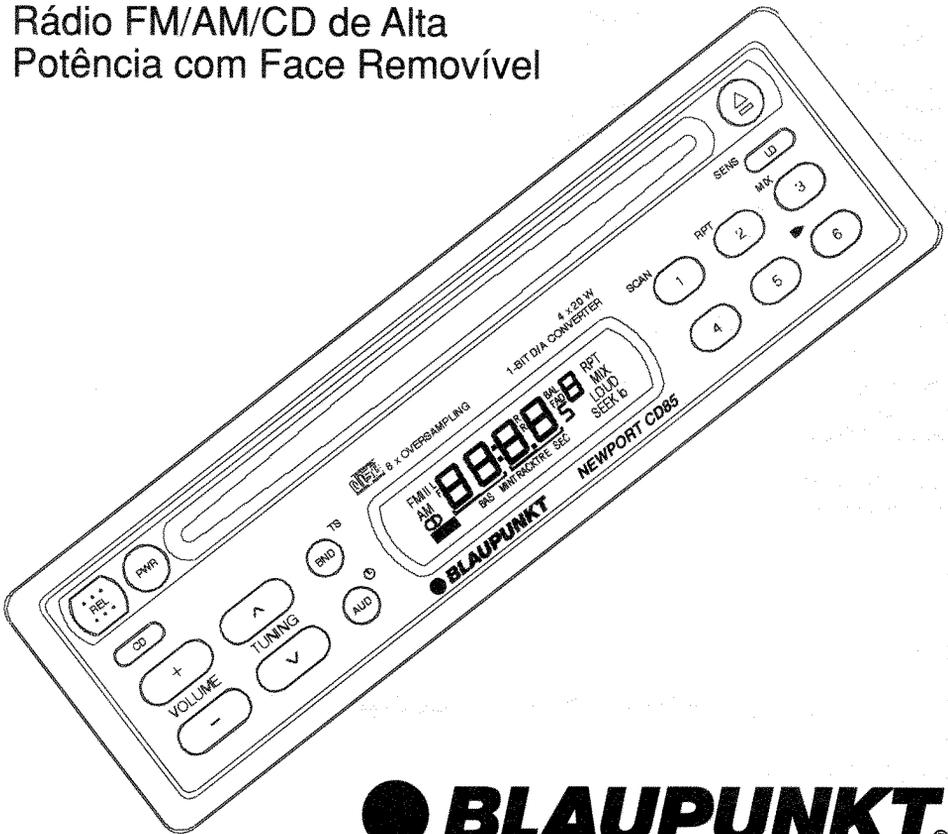
# NEWPORT CD85

High-Power FM/AM/CD Receiver with Detachable Face

Autoradio AM/FM à Lecteur CD de Forte Puissance et à Face Amovible

Receptor FM/AM/Reproductor de CD de Alta Potencia y con Carátula Desmontable

Rádio FM/AM/CD de Alta Potência com Face Removível



**BLAUPUNKT®**

Bosch Group

# FCC Warning

---

The equipment has been tested and found to comply with the limits for a Class B device, pursuant to Part 15 of the FCC Rules. These limits are designed to provide reasonable protection against harmful interference in a residential installation. This equipment generates, uses, and can radiate radio frequency energy, and, if not installed and used in accordance with instructions, may cause harmful interference with radio communications. However, there is no guarantee that radio interference will not occur in particular installation. If this equipment does cause harmful interference to radio or television reception, which can be determined by turning the equipment off and on, the user is encouraged to try to correct the interference by one or more of the following measures:

- Reorient or relocate the receiving antenna.
- Increase the separation between the equipment and receiver.
- Connect the equipment into an outlet or circuit different from that which the receiver is connected.
- Consult the dealer or an experienced radio/TV technician for help.
- The shielded interface cable recommended in this manual must be used with this equipment in order to comply with limits for a digital device pursuant to Sub-part B of Part 15 of the FCC rules.

You are cautioned that any changes or modifications not expressly approved in this manual could void your authority to operate this equipment.

## CAUTION

- The use of optical instruments with this product will increase eye hazard.
- Because the laser beam in this compact disc player is harmful to the eyes, do not attempt to disassemble this cabinet. Refer servicing to qualified personnel only.

## SAFETY CERTIFICATION

This Compact Disc Player is made and tested to meet exacting safety standards. It meets and complies with safety performance standards of the US Department of Health and Human Services.

# Owner's Record

---

The model and warranty numbers are located on the top of the unit. Record the serial number in the space provided below. Refer to these numbers whenever you call upon your Blaupunkt dealer regarding this product.

Warranty Number \_\_\_\_\_

**Attach Sales Receipt Here**

# Table of Contents

---

## English

FCC Warning .....	2
Owner's Record .....	2
Features .....	4
Precautions .....	4
Detachable Face .....	5
Electrical Connections and Installation .....	6
Installation .....	8
Maintenance .....	10
Specifications .....	11
Location of Controls .....	12
Instructions—General Operation .....	13
Radio Operation .....	14
CD Player Operation .....	16
Troubleshooting Guide .....	17

# Features

---

Congratulations on your purchase of the Blaupunkt CD Receiver. Its Optimum Reception Control (ORC III) quartz FM/AM tuner and 3-Beam Laser/Anti-Vibration & Shock CD Mechanism provide the ultimate in sound reproduction. Its high-power amplifier and 2-channel RCA preamp output provide tremendous system configuration flexibility.

- Tuner Features:
  - ORC III Tuner
  - 18 FM/6 AM Station Presets, Including 6 FM & 6 AM Travel Store Presets
  - Station Scan & Preset Scan
  - Automatic and Manual Tuning
  - Local/Distant Reception Control
  - ASU Impulse Noise Quieting
- CD Features
  - Track Up/Down    – Track scan
  - Cue/Review        – Pause/Play
  - Track Repeat      – Track Mix
  - Track Number Indication
  - Elapsed Track Time Indication
  - DISC IN Indicator
  - 3-Beam Laser Pick-Up
  - 1 Bit/8 Times Oversampling Digital Filter
  - Silicone-Oil Dampened Anti-Vibration and Shock CD Mechanism
- Audio Features:
  - 4 x 20 Watt Integrated Amplifier
  - 2-Channel RCA Preamp Output: 2.2 volts max. with less than 1% THD@ 100% modulation
  - Dual-Level Fader
  - Volume/Balance/Fader Controls
  - Adjustable Turn-On Volume-Level
  - Loudness Button
  - Separate Bass and Treble Controls
- General Features:
  - Fully-Detachable Faceplate for Security
  - Switchable Clock/Function LCD Display
  - Ignition-Off Clock Recall
  - Amber Illumination
  - Detachable Wire Harness
  - 178 x 50 x 155 mm (7 x 2 x 6 in.) DIN/ISO Chassis
  - Snap-In DIN Sleeve & Mounting Hardware

Your unit's fully-detachable front faceplate makes the unit useless to would-be thieves.

# Precautions

---

- The use of optical instruments with this product will increase eye hazard.
- Because the laser beam in this compact disc player is harmful to the eyes, do not attempt to disassemble this cabinet. Refer servicing to qualified personnel only.
- If your vehicle was parked in direct sunlight resulting in a considerable rise in temperature inside the vehicle, allow the unit to cool off before operating your unit.
- If no power connection is supplied to the unit, check the connections first. If everything is in order, check the fuse.
- If no sound comes from the speakers of a two-speaker system, set the fader control to the center position.
- You are cautioned that any changes or modifications not expressly approved in this manual could void your warranty.
- If you have any questions or problems concerning your unit that are not covered in this manual, please contact your Blaupunkt dealer.

# Detachable Face

## Detaching & Attaching the Face:

The face of this unit can be detached and taken with you to prevent it from being stolen.

### Detaching the Face:

Before detaching the face, be sure to press the PWR Button first. Then press the REL (Release) Button and detach the face by gently pulling it off as illustrated.

**Note:** Do not pull it straight out from the chassis. Be sure not to drop the face when detaching it from the chassis.

### Attaching the Face:

Apply the right hand side of the face to the chassis by sliding (part B) of the face to (part A) at the front of the chassis. Gently push the left side of the face against the front of the chassis until it snaps into place.

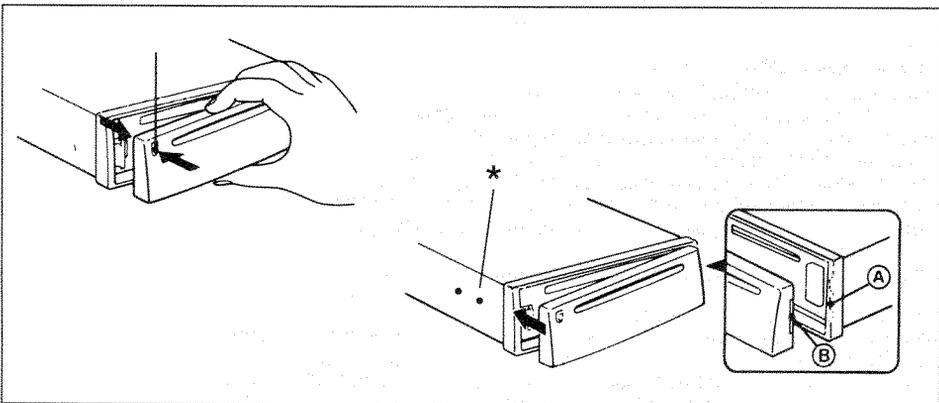
**Note:** Make sure that the face is inserted right side up. Do not press against the display window. Do not press hard against the face when attaching it to the chassis, it may be easily attached with gentle pressure. When carrying the face with you, put it in the carrying case. Do not expose the face to direct sunlight, heat sources such as hot air ducts or leave it in a humid place. Never leave it on the dash board of a vehicle parked in direct sunlight, where there may be a considerable rise in temperature inside the vehicle.

### Affixing Faceplate For Retail Display:

The faceplate can be affixed to the unit's chassis, which is desirable for a retail display, for example. **This should only be done in situations where the unit can be accessed from behind the mounting surface. Once the faceplate is affixed, the release keys cannot be used to remove the chassis.**

To affix the faceplate:

- A. Unscrew the bolt at the left front side of the unit. See\* below.
- B. Attach faceplate.
- C. Obtain longer black bolt from hardware pack and screw it into the same hole.



# Electrical Connections and Installation

Ⓜ/!<?#&\*>Ⓜ! To avoid the aggravation of costly mistakes and serious damage that could make you feel this way, please carefully read all of the instructions before you begin. Carefully follow all instructions. You'll be glad you did!

## GENERAL RECOMMENDATIONS

- If you're not confident that you can install the unit correctly, have it installed by a qualified Blaupunkt installation technician.
- Use this unit only with negative ground 12 Volt (11-16 Volt) direct current (DC).
- Be sure to detach the faceplate before you start to connect or install the unit.
- We recommend making and testing all electrical connections before installing the unit. Connect the leads (wires) according to instructions and diagram below.

## ELECTRICAL CONNECTION INSTRUCTIONS

1. Disconnect the vehicle battery's negative terminal before making connections.
2. Connect the speakers and/or external amplifiers (if you have any) following the guidelines in the SPEAKER CONNECTION section below.
3. Connect the blue (trigger output) lead to the amplifier's trigger input terminal and/or antenna motor trigger input terminal (if you have either or both of these items). The combined total amperage required for triggering the antenna motor and/or amplifier must not exceed 100 mA. DO NOT connect the blue lead to the antenna's and/or amplifier's power supply input.
4. Connect the black (power ground) lead to a grounded metal part on the vehicle. We recommend grounding all audio system black ground leads (head unit, external amplifier, etc.) to a common grounding point, preferably a non-painted surface under the instrument panel.
5. Connect the yellow (constant power) input lead to a source of constant battery power, preferably a terminal to an appropriate slot in the fuse box.
6. Connect the red (turn-on power) input lead only after the other leads are connected. Be sure to connect the red lead to a positive (+) 12 Volt power terminal that is energized only when the ignition key is set to the on position or accessory position.
7. Cover the ends of any unused leads with electrical tape. This will prevent them from touching the vehicle or each other and causing a short-circuit and damage to the radio or vehicle.
8. Reconnect the vehicle's battery.
9. Verify that no fuses have blown.
10. Plug the harness into the unit.
11. Attach the faceplate and test the unit.

Once the connections have been successfully made, you can begin to mount the unit.

## SPEAKER CONNECTIONS

The unit's Dual-Level Fader allows you to fade between the front and the rear channels using either the front and/or rear speaker leads and/or the rear preamp outputs, providing you tremendous flexibility in configuring your speaker arrangement:

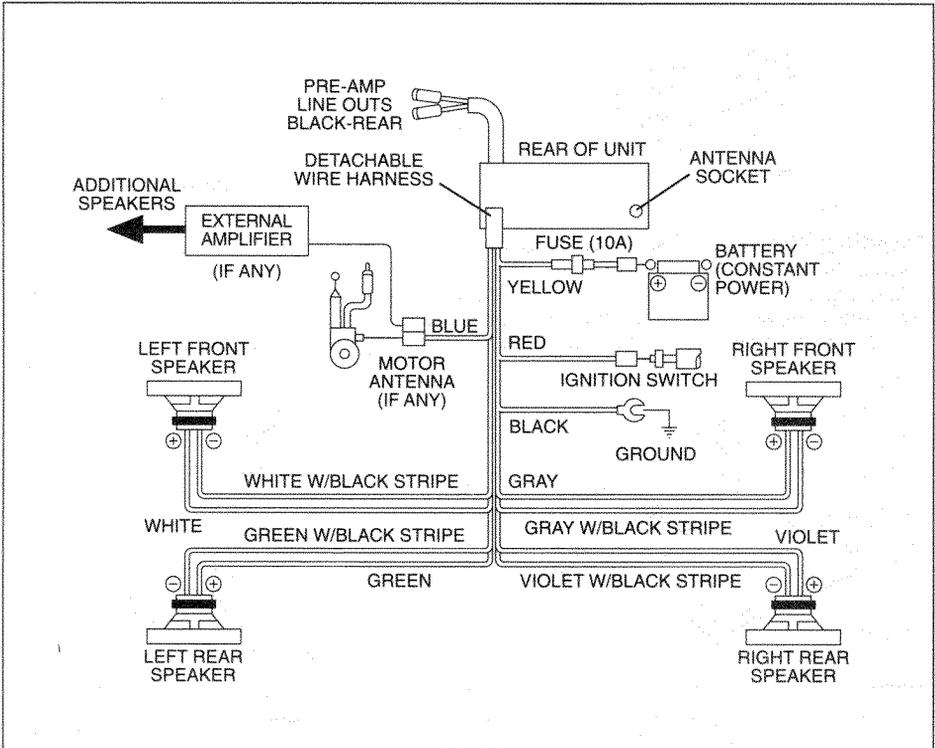
- You can connect a speaker (regular, co-axial or tri-axial speakers or component speaker system, all hereafter referred to simply as "speaker") to each of the unit's four pairs of speaker leads.
- You can connect the 2 RCA preamp outputs to multiple external amplifiers and power multiple speakers or speaker systems through the amplifiers. (Blaupunkt amplifiers and speakers available separately).
- You can use a combination of these two methods.

### Connecting the Speaker Leads

**To prevent short circuits or serious damage to the unit and/or speakers:**

- Connect the speaker leads only as indicated in the wiring diagram.
- Only use speakers that have impedance ratings of 4 ohms or higher and have power-handling capabilities greater than the head unit's stated power level.
- The unit's internal amplifier is designed to handle a 4-ohm load on each pair of speaker leads.
- DON'T connect two speakers to a single pair of speaker leads ("in parallel") unless both speakers each have at least 8 ohms impedance.
- DON'T connect the left and right speaker leads to each other or to the same speakers.

- DON'T connect the front and rear speaker leads to each other or to the same speakers.
- DON'T connect the negative speaker leads to each other.
- DON'T connect the positive speaker leads to each other.
- DON'T connect any active speakers (with built-in amplifiers) to the speaker leads.

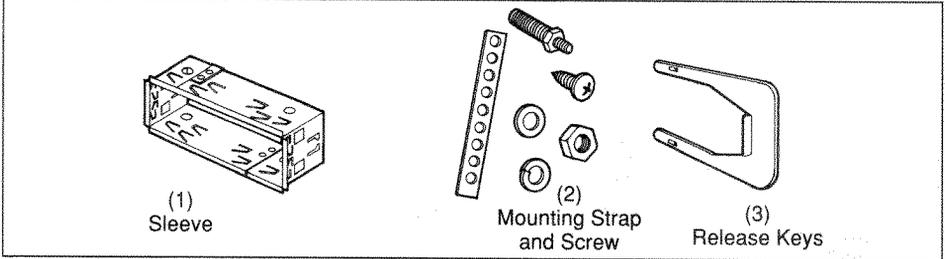


# Installation

## Recommendations

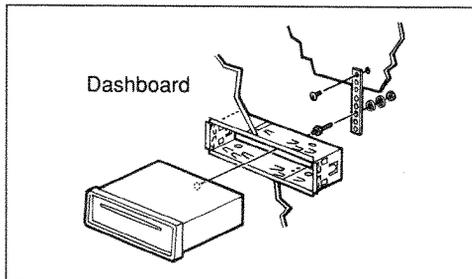
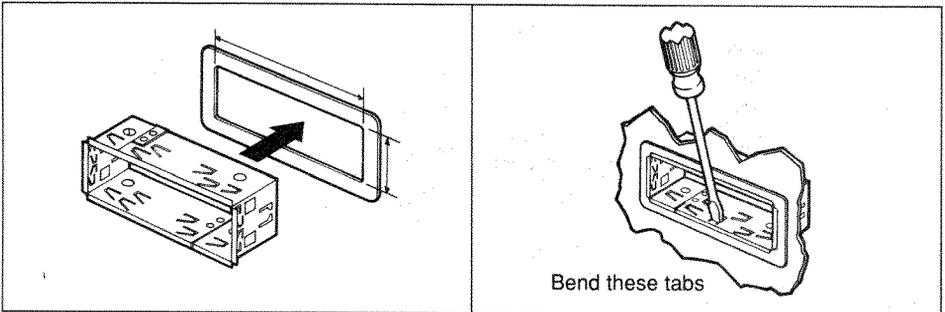
- Carefully choose the mounting location so that the unit won't interfere with normal driving.
- Avoid mounting locations where the unit would be subject to high temperatures, such as from direct sunlight or hot air from the heater, or where it would be subject to dust, dirt or excessive vibration.
- The illustration below shows a typical installation, however, you may need to adjust the installation, depending on the unit. If you have questions or need additional installation hardware, consult your Blaupunkt dealer.
- Make sure the unit is firmly anchored (preferably at both front and back) and does not vibrate.

## Mounting Hardware



## Mounting The Unit in Most Dashboards

- 1 Install the Sleeve (1) in the dashboard.
- 2 Select and bend the appropriate tabs to hold the sleeve firmly in place.
- 3 A. Attach the Mounting Strap (2) to the underside of the dashboard, using screw.  
B. Attach the back of the unit to the mounting strap using the support stem bolt and hardware.

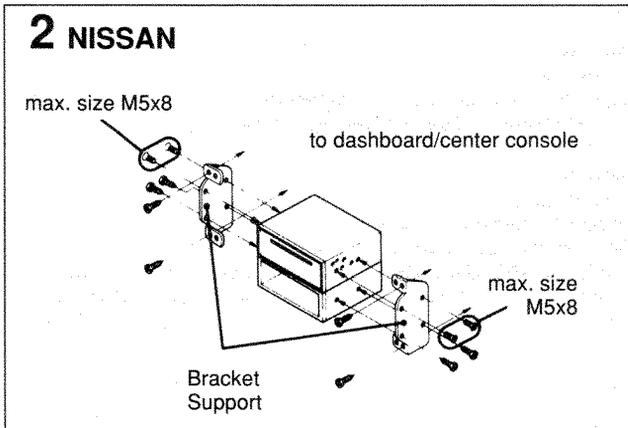
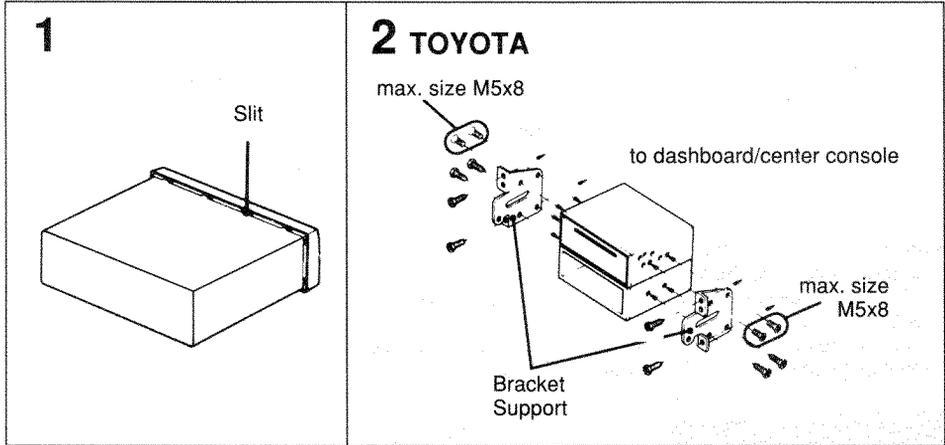




## Mounting the Unit in a Japanese Car

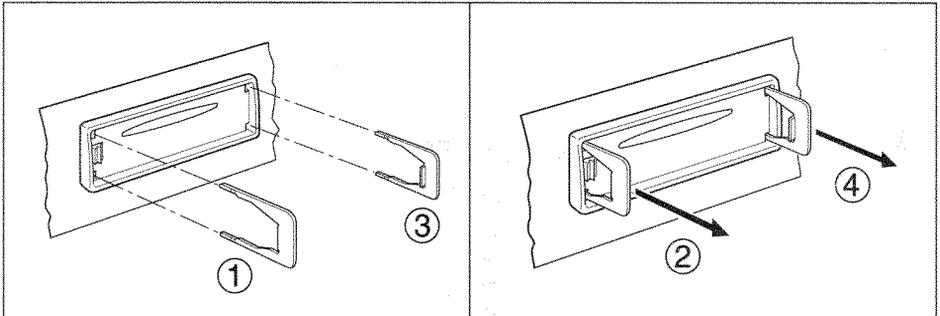
You may have difficulty mounting this unit in some Japanese cars that have ISO mounting features. In this case, consult your Blaupunkt dealer.

- 1 Run a blade along the slits on the back of the front trim ring and separate it from the unit.  
Discard the trim ring.
- 2 Use the vehicle's own mounting hardware to attach the unit.



## Removing the Unit

Use the Release Key as shown below. Keep it in a safe place in case you need it in the future.



### Release Key Instructions

1. Insert the key into the left side.
2. Use key to pull left side of unit slightly away from dashboard, out of locked position.
3. Insert the key into the right side.
4. Use key to pull right side of unit slightly away from dashboard, out of locked position.
5. Pull unit straight out from the bracket.

## Maintenance

---

### Fuse Replacement

When replacing the fuse, be sure to use one with the correct amperage, which will be stated on the fuse case. Never use a fuse that has a stated amperage exceeding the one supplied for this unit, as this could cause malfunction and serious damage to the unit.

### Cleaning the Connectors

The unit may not operate properly if the connectors between the unit and the face are contaminated with dirt. In order to prevent this from happening, remove the face from the unit by pressing the REL (Release Button), then detach it and clean the connectors from time to time. Clean the connectors with a cotton swab and isopropyl alcohol (90% or higher). Be sure to clean them with a horizontal motion. Never clean them vertically, because this could damage the contact points.

# Specifications

---

## Audio Power Specifications

---

Power Output and Total Harmonic Distortion: 10 watts per channel minimum continuous average output into 4 ohms, 4 channels driven, from 30-15,000 Hz with no more than 1% total harmonic distortion.

## Other Specifications

---

### Tuner

#### FM

Tuning Range:	87.5 - 107.9 MHz
Intermediate Frequency:	10.7 MHz
FM Mono Sensitivity:	18 dBf
Seek lo sensitivity:	51 dBf
Seek sensitivity:	31 dBf
Selectivity:	80 dB at 400 kHz
Signal-to-Noise Ratio:	65 dB (stereo), 70 dB (mono)
Harmonic distortion at 1 kHz:	0.7% (stereo), 0.5% (mono)
Separation:	30 dB
Frequency Response:	30 - 15,000 Hz $\pm$ 3 dB

#### AM

Tuning Range:	530 - 1,710 kHz
Seek lo sensitivity:	50 dB $\mu$ V
Seek sensitivity:	30 dB $\mu$ V
Intermediate Frequency:	450 kHz
Signal-to-Noise Ratio:	45 dB

### Audio

Speaker Impedance:	4-8 ohms
Maximum Amp Power (at 14.4V):	4 X 20 Watts (at 4 ohms)
RMS Power:	4 X 10 Watts (at 4 ohms)
Bass Control:	$\pm$ 10 dB @ 100 Hz
Treble Control:	$\pm$ 10 dB @ 10 kHz
Loudness:	+ 14 dB @ 100 Hz & + 3 dB @ 8 kHz
Preamp Outputs:	2-CH RCA
Preamp Output Voltage:	2.2 volts maximum @ 100% Modulation with < 1% Total Harmonic Distortion

### CD Player

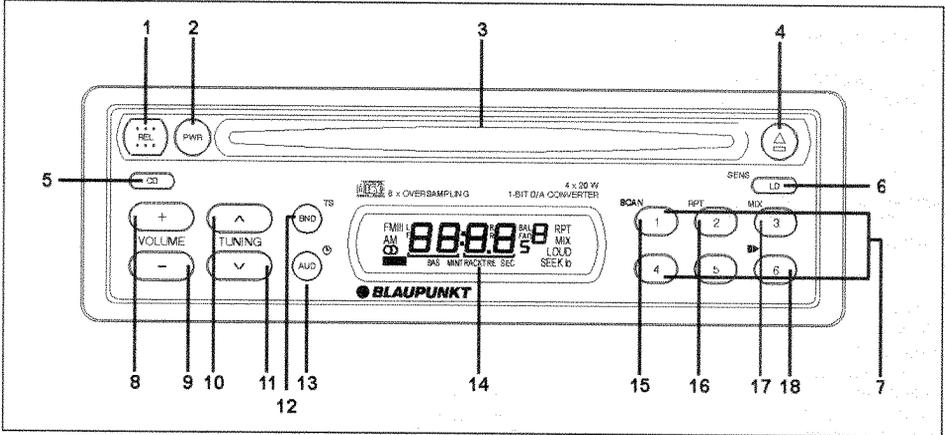
Signal-to-Noise Ratio:	90 dB
Dynamic Range:	90 dB
Frequency Response:	20-20,000 Hz $\pm$ 1.25 dB
Harmonic Distortion:	.01%

### General

Dimensions (w/o projecting parts/controls):	178 x 50 x 155 mm 7 x 2 x 6 in.
Mass:	Approx. 1.4 kg (3.0 lb.)
Power Requirement (neg. grnd.):	12 V DC car battery
Operating Temperature:	15°F to 120°F, -10°C to 50°C
Supplied Accessories:	<ul style="list-style-type: none"><li>• Unit</li><li>• Faceplate</li><li>• Faceplate Carrying Case</li><li>• DIN Sleeve</li><li>• Mounting Hardware</li><li>• Owner's Manual in English, French, Spanish and Portuguese</li></ul>

*Design and specifications subject to change without notice.*

# Location of Controls



1. REL (Release) Button
2. PWR (Power) Button
3. Disc Insertion Slot
4. Disc Eject Button
5. CD Play Button
6. SENS (Reception Sensitivity)/LD (Loudness) Button
7. FM/AM Preset Buttons
8. + Control:
  - Volume +
  - Bass +
  - Treble +
  - Balance Left
  - Fade to Front
9. - Control:
  - Volume -
  - Bass -
  - Treble -
  - Balance Right
  - Fade to Rear
10. ^ Button
  - Seek and Manual Radio Tuning (Up)
  - Preset Scan
  - Clock Hour Adjustment
11. V Button
  - Seek and Manual Radio Tuning (Down)
  - Station Scan
  - Clock Minute Adjustment
12. BND (Radio Band Select)/TS (Travel Store) Button
  - Clock 00.00
13. AUD (Audio Select)/Clock Button
  - Temporary Display Changes
  - Bass Mode
  - Treble Mode
  - Balance Mode
  - Fader Mode
  - Volume Mode
  - Display Priority Change
  - Clock Adjustment Access
14. LCD Display Window
15. SCAN (CD Scan) Button
16. RPT Button
17. MIX Button
18. Pause/Play Button

# Instructions — General Operation

---

## Turning Unit On

Vehicle ignition must be on. To turn unit on, press PWR Button (2) or insert a tape.

## Turning Unit Off

Press the PWR Button (2) to turn the unit off.

## Volume

Press the + and – Buttons (8 & 9) to quickly increase or decrease the volume to the desired level. The volume level is indicated in the Display Window (14). To make a fine adjustments to the volume level, press the other volume button before the volume level disappears from the display. You can then gradually adjust the volume in either direction, making precise adjustment easy.

## Adjustable Turn-On Volume

First adjust the volume to the (maximum) volume level desired when the unit is turned on. Press and hold the PWR Button (2) for more than two seconds. The unit turns off and the turn-on volume level is memorized. When the unit is turned on, the volume will be at the memorized level, even if the unit was turned off while the volume was at a higher level. However, if the volume is turned off when the volume level is lower than the stored Turn-On volume level, the volume will be at the lower level when the unit is turned back on.

## Loudness Button

Press the LD Button (6) to increase sound level of low frequencies, especially when listening at low volume levels. (The increase is centered at 100 Hz, where the increase is 14 dB.) The "LOUD" indicator appears in the display. To cancel, press this button again.

## Setting the Clock

Turn the unit on. Press the AUD Button (13) for four seconds until the clock starts blinking. (The display will change after two seconds. Ignore this and continue to hold for two more seconds.) Once the clock starts blinking, Press the  $\wedge$  (10) to set the hour, and press the V Button (11) to set the minutes. (To change the minute indicator to the nearest hour (:00), you can press the BND Button. Press the AUD Button again to activate the clock.

## Changing the Information Displayed

You can temporarily change the information shown in your unit's display. You can also select which information has "display priority" and is shown in the display except for moments when adjustments are made.

- To change the display priority, press the AUD Button (13) for two seconds. The display priority changes. In the radio mode, the display priority choices are clock and radio frequency. In the CD mode, the display priority choices are clock, track number, and elapsed track time.
- To change the display temporarily, press and release the AUD Button (13) one or two times to access the desired information.\* After five seconds, the display changes back to the priority information.

## Ignition-Off Clock Recall

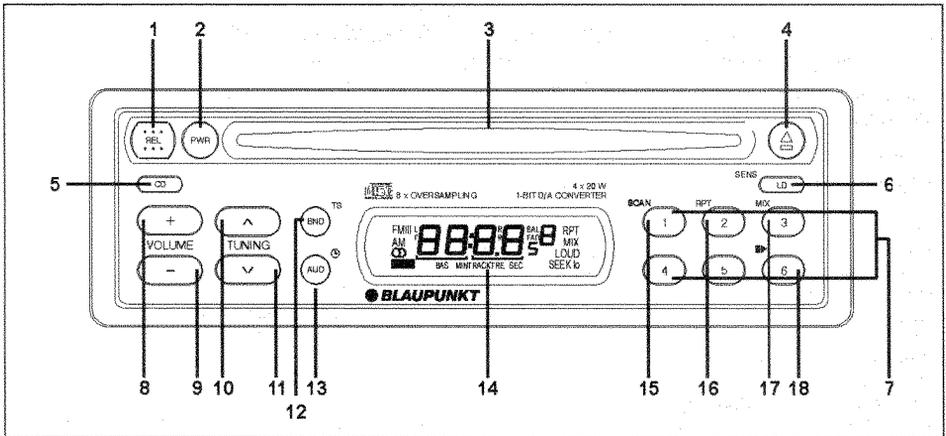
You can check the time when the vehicle ignition is off by simply pressing the AUD Button. The time stays displayed for five seconds.

## Bass and Treble

Press AUD (Audio Select) Button (13) twice to select the Bass mode, three times for the Treble mode. The level is indicated in the Display Window (14). Press the + Button (8) or – Button (9) to increase or decrease the level.\*

## Balance

Press AUD Button (13) four times to select the Balance mode. The balance is indicated in the Display Window (14). Press the + Button (8) to increase the left speaker output or press the – Button (9) to increase the right speaker output to the desired level.\*



### Fader

Press AUD Button (13) five times to select the Fader mode. The level of output for front and back speakers is indicated in the Display Window (14). Press the + Button (8) to decrease the rear speaker output. Press the – Button (9) to decrease the front speaker output.\*

\* Five seconds after you complete your adjustments, the unit will automatically return to the volume mode and the display will revert back to the priority display, clock or function. You can also press and release AUD as needed to return to VOLUME, which appears after FADER in the AUD Button cycle.

### AUD Button Summary

- Pressing and releasing the AUD Button accesses these modes in this succession:
- Temporary Display Change(s), Bass, Treble, Balance, Fader, Volume.
- Pressing the AUD Button for two seconds changes the display priority.
- Pressing the AUD Button for four seconds accesses the time adjustment mode.
- While in any AUD mode, if no button is pressed for four seconds, the unit returns to the volume adjustment mode and priority display.

## Radio Operation

### Band Selection

Press the BND Button (12) to select the bands FMI, FMII, FMIII and AM sequentially. The indicator for the active band (FMI, FMII, FMIII or AM) appears in the Display, along with the radio frequency being received.

### Automatic Stereo/Mono Reception Adjustment

When an FM stereo program with a signal strength of at least 50 dBf is tuned in, the stereo indicator (“**Ⓢ**”) appears in the Display Window. If the FM stereo program is weak and noisy, the unit automatically blends the signals, eliminating the noise and gradually converts to the monaural or “mono” mode. The stereo symbol will disappear from the Display.

### Automatic Seek Tuning

Select the desired band AM or FM. Press and release the  $\wedge$  and  $\vee$  Buttons (10 and 11) to seek the next receivable station. To stop seeking and return to the previous frequency, press the other of the  $\wedge$  and  $\vee$  Buttons (Pressing and holding the  $\wedge$  Button for two seconds activates the Preset Scan Button. Pressing and holding the  $\vee$  Button for two seconds activates the Station Scan Button.)

## Adjusting The Tuning Criteria

Pressing the LD Button (6) for two seconds to advance to the next step in the following cycle of Tuning options:

“SEEK lo” (local stations) → “SEEK” (distant stations as well as local stations) → Manual Tuning

### Search Sensitivity

To have the seek and scan tuning stop only at strong local stations, press the LD Button (6) for two seconds intervals, as needed, until “SEEK and lo” appear in the display.

To allow all receivable stations to be received, press the LD Button (6) for two seconds intervals, as needed, until “lo” disappears in the display. Automatic tuning will now stop at ALL receivable stations, weak or strong.

### Manual Tuning

Select the desired band: AM or FM. Press and hold the LD Button (6), as needed, until Seek disappears from the Display. Press and release the  $\wedge$  and V Buttons (10 and 11) to seek the desired frequency. *Five seconds after you complete your adjustments, the Tuning Control reverts to Seek Tuning.*

### Station Scan Tuning

Select the desired band, AM or FM. Press the V Button (11) for two seconds to activate station scan. Each station receivable under the current tuning mode will be scanned, in order for 8 seconds. To stop the scanning and listen to the station being received, press the V Button again.

### Preset Tuning

Up to 12 FM and 6 AM stations can be stored in preset memory.

1. Tune in a desired station, either manually or automatically, on the desired Band, AM, FMI, FMII and FMIII.
2. Press and hold any one of the six Preset Buttons (7). The Preset Button number will appear in the Display Window. After two seconds, the frequency will blink twice, indicating that the station has been stored in the Button's memory storage for that Band.
3. Repeat the above procedure with the rest of the presets for each Band, as desired.
4. To select a preset station, select the desired band, then press and release the desired Preset Button.

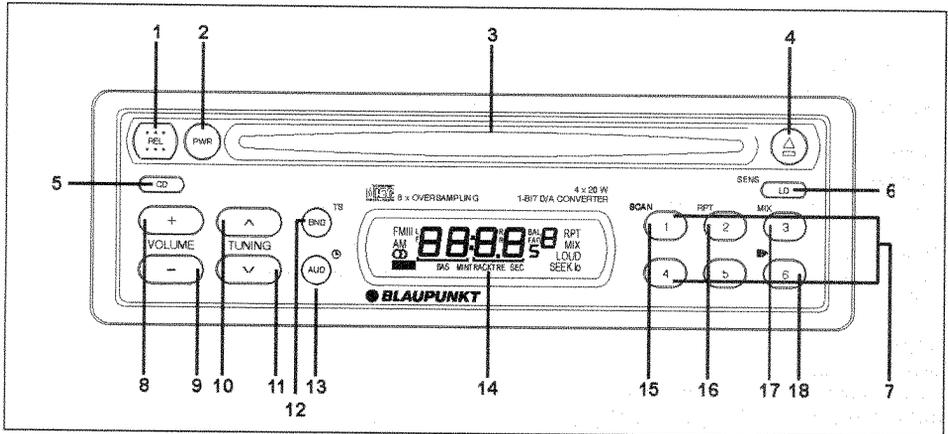
### Preset Scan

To review the stations stored in the Preset Buttons, press the  $\wedge$  Button (10) for two seconds. All of the stations stored in memory will be scanned, in order, for the 8 seconds. If any of the preset frequencies are not receivable with a signal strength of at least 20 dBf, they will be skipped over. To stop the scanning and listen to the station being received, press  $\wedge$  Button (10) again.

### Travel Store

This feature allows you to automatically store 6 receivable FM and 6 receivable AM stations, which is especially handy when you travel to a different reception area.

Select the desired band, FM or AM. Then press the TS Button for two seconds. Beginning with the last station that was received on that band, the unit automatically scans the band first for stations receivable with a minimum 90 dBf sensitivity, then with the lo and distant seek sensitivity levels. The unit stores the six most-receivable stations and switches to preset 1 on the that band. The presets on the other bands will not be affected.



## Compact Disc Operation

### Playing A Disc

Check Display (14) to make sure that "DISC IN" indicator is not lit. Insert a disc into the Disc Slot (2) with the label surface facing up. The disc is automatically loaded into the unit and play starts at the beginning of the first selection. The track number and "DISC IN" indicator will appear in the Display.

When a CD is already in the unit, simply press the CD Button (5) to switch from radio to CD playback.

### Changing the Information Displayed

(See page 13)

### Ejecting A Disc

To eject a disc, press the Eject Button (4). The disc comes out automatically. If this button is pressed again or if the disc is not removed within about 5 seconds, the disc is automatically reloaded. Press the CD Button (5) to restart disc playback.

### Track Up/Down

Press the  $\Delta$  Button (10) or  $\nabla$  Button (11) to locate the desired track. Track number appears in the display.

### Cue and Review

Press and hold the  $\Delta$  Button (10) or  $\nabla$  Button (11) to rapidly advance forward or backward to the desired position of the track during playback.

### Scan Play

Press the SCA Button (15) to hear the first 10 seconds of each track before automatically advancing to the next track. The track number blinks in the Display to indicate that scanning is underway. Press this button again to listen to the desired track.

### Repeat Play

Press the RPT (Repeat Play) Button (16) to repeat the same selection. The "RPT" indicator is displayed in the Display. To cancel, press this button again.

### Mix Play

Press the MIX Button (17) to play the tracks in random order. The indicator "MIX" will appear in the Display. To cancel, press this button again.

### Pause

Press the (Pause) Button (18) during playback. Play will stop. Press again to resume play.



# Troubleshooting Guide

The following check will assist in the correction of most problems which you may encounter with your unit. Before going through the check list below, refer back to the connection and operating procedures.

## General

Trouble	Cause/Solution
No sound.	<ul style="list-style-type: none"> <li>Adjust the volume with the + button.</li> <li>Set the fader control to the center position on the 2-speaker system.</li> </ul>
Indications do not appear on the display window.	<ul style="list-style-type: none"> <li>Remove the front panel and clean the connectors. See "Cleaning the Connectors" of "Maintenance" for details.</li> </ul>

## Radio reception

Trouble	Cause/Solution
Preset stations are not receivable.	<ul style="list-style-type: none"> <li>The broadcast is too weak.</li> </ul>
Automatic tuning is not possible.	<ul style="list-style-type: none"> <li>The broadcast is too weak. → Use manual tuning.</li> </ul>
Travel Store feature does not complete storing of six stations.	<ul style="list-style-type: none"> <li>Not enough broadcast frequencies are receivable.</li> </ul>

## CD operation

Trouble	Cause/Solution
CD play does not start.	<ul style="list-style-type: none"> <li>Dusty or defective disc.</li> <li>The ambient temperature is more than 50°C (120°F).</li> </ul>
The disk cannot be loaded or is automatically ejected.	<ul style="list-style-type: none"> <li>The disc is inserted with the labeled side downwards.</li> </ul>
The sound skips due to vibration.	<ul style="list-style-type: none"> <li>The unit is installed at an angle of more than 20°.</li> <li>The unit is not installed on the sturdy part of a car.</li> <li>Dusty or defective disc.</li> </ul>

## Error Displays

Display	Cause	Solution
E-01	The disc is not loaded properly. The disc is not ejected properly.	Try reloading. Try re-ejecting.
E-08	The disc is dirty or the disc is upside down.	Clean the disc. Insert the disc correctly.
E-10	Electrical error.	Eject disc and turn unit off. Turn unit on and re-insert disc.
E12	Electrical error.	Eject disc and turn unit off. Turn unit on and re-insert disc.

If the above mentioned solutions do not help to improve the situation, consult your nearest **Blaupunkt** dealer.